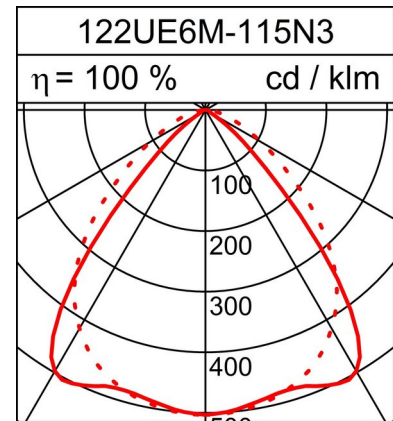
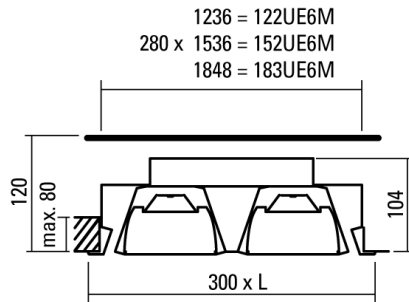


RECESSED PROJECTOR SPLIT

Technical data sheet

125.7W LED, 14163 Lumen, 113 Lumen/Watt, 3000 Kelvin. L=1257mm, CRI>80, UGR<19, IP40. Matted and white coloured housing. Highly reflecting and matt gloss anodized reflector made of pure aluminium. Cover made of prismatic-polycarbonate. IP50 in the lamp housing. High light output. With electronic ballast.



PRODUCT DATA

Item number	122UE6M-115N3
Dimensions	L=1257 mm
Light source	LED
Equipping / Current feed	113.1 W
System output	125.7 W
Weight	9.5 kg

LIGHT DATA

Optical light output ratio	100 %
Light direct/non direct ratio	100 / 0 %
Absolute luminous flux (Basis: Light source 840)	14163 lm
Luminaire light output (lm/W)	113 lm/W

UNIFIED GLARE RATING UGR

X=4H, Y=8H, S=0,25H	
Deg. of reflection 70/50/20	
Perpendicular Zero	18.6
Perpendicular Ninty	23.2

Subject to technical modifications. 26.02.2024