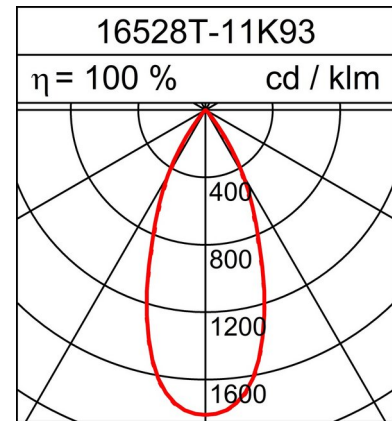
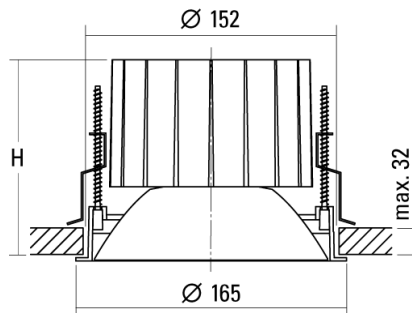


# RECESSED DOWNLIGHT EQUIP FLEX

## Technical data sheet

13.5W LED, 1435 Lumen, 107 Lumen/Watt, 3000 Kelvin. H=120mm, CRI>90, UGR<13, ceiling-side IP40 and room-side IP40. Narrow-angled beam. With anti-glare reflector made of polish coated synthetic material. High reflecting, anodized and silver coated segment reflector. With highly transparent anti-glare closing glass. With adjustable fixing brackets. With electronic ballast.



### PRODUCT DATA

Item number	16528T-11K93
Dimensions	H=120 mm
Light source	LED
Equipping / Current feed	11.5 W
System output	13.5 W

### LIGHT DATA

Optical light output ratio	100 %
Light direct/non direct ratio	100 / 0 %
Absolute luminous flux (Basis: Light source 840)	1435 lm
Luminaire light output (lm/W)	107 lm/W

### UNIFIED GLARE RATING UGR

X=4H, Y=8H, S=0,25H	
Deg. of reflection 70/50/20	
Perpendicular Zero	12.9
Perpendicular Ninty	12.3

Subject to technical modifications. 26.02.2024