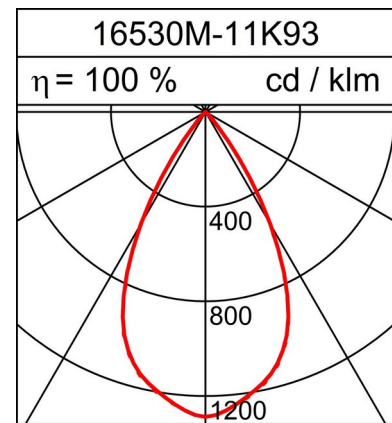
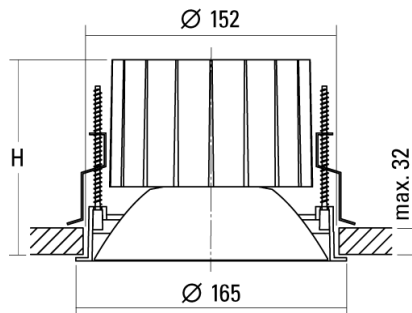


RECESSED DOWNLIGHT EQUIP FLEX

Technical data sheet

13.5W LED, 1584 Lumen, 118 Lumen/Watt, 3000 Kelvin. H=120mm, CRI>90, UGR<16, ceiling-side IP40 and room-side IP40. Medium-angled beam. With anti-glare reflector made of bronze synthetic material with wave structure. High reflecting, anodized silver coated segment reflector. With highly transparent anti-glare closing glass. With adjustable fixing brackets. With electronic ballast.



PRODUCT DATA

Item number	16530M-11K93
Dimensions	H=120 mm
Light source	LED
Equipping / Current feed	11.5 W
System output	13.5 W

LIGHT DATA

Optical light output ratio	100 %
Light direct/non direct ratio	100 / 0 %
Absolute luminous flux (Basis: Light source 840)	1584 lm
Luminaire light output (lm/W)	118 lm/W

UNIFIED GLARE RATING UGR

X=4H, Y=8H, S=0,25H

Deg. of reflection 70/50/20

Perpendicular Zero	14.7
Perpendicular Ninty	14.6

Subject to technical modifications. 26.02.2024