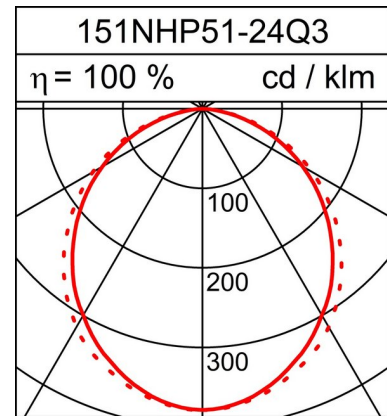
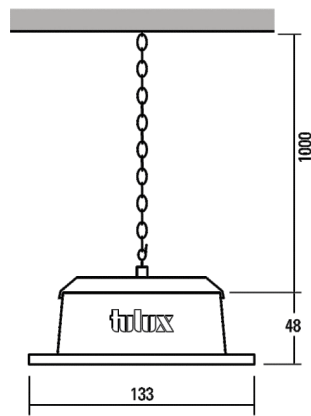


# COMMERCIAL AND INDUSTRIAL LUMINAIRE PLANK

## Technical data sheet

27.4W LED, 3773 Lumen, 138 Lumen/Watt, 3000 Kelvin. L=1514mm, CRI>80, UGR<25, IP66. Pendant luminaire. Suitable for ambient temperatures of -10°C up to +45°C. Luminaire housing made of industrial grey aluminum. Frame made of chrome steel. With acrylic diffuser satiné diffuse. With height-adjustable pendulum device.



### PRODUCT DATA

Item number	151NHP51-24Q3
Dimensions	L=1514 mm
Light source	LED
Equipping / Current feed	24.7 W
System output	27.4 W

### LIGHT DATA

Optical light output ratio	100 %
Light direct/non direct ratio	100 / 0 %
Absolute luminous flux (Basis: Light source 840)	3773 lm
Luminaire light output (lm/W)	138 lm/W

### UNIFIED GLARE RATING UGR

X=4H, Y=8H, S=0,25H	
Deg. of reflection 70/50/20	
Perpendicular Zero	22.8
Perpendicular Ninty	23.1

Subject to technical modifications. 26.02.2024